

PRESSURE REGULATOR

Applications

The pressure regulator model is used where there are low flow and low pressure requirements and the incoming supply pressure is variable. Ideal for use with drip irrigation systems.

Features

- Body in high quality ABS plastic, sonic welded for extra security
- The plunger and valve assembly are constructed of DuPont ZYTEL for longer life and constant operation
- Silicone O-rings for reduced pressure loss
- Stainless steel return springs.



Inlet pressure (bar)	Outlet pressure (bar)				
1,4	0,89	1,25	1,09	0,91	0,88
2,1	1,23	1,40	1,42	1,22	1,20
2,8	1,47	1,45	1,38	1,26	1,24
3,5	1,51	1,45	1,36	1,28	1,22
4,2	1,50	1,48	1,35	1,25	1,20
4,9	1,50	1,49	1,49	1,40	1,33
5,6	1,50	1,50	1,35	1,20	1,15
6,3	1,48	1,52	1,44	1,19	1,17
7,0	1,47	1,15	1,40	1,35	1,25
V/min	3,8	7,6	15,2	22,8	30,4

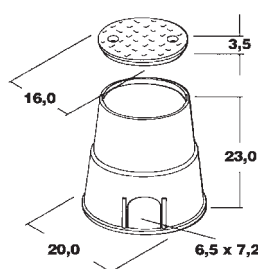
Code

IT-VRR2020151 Pre-set pressure regulator

VALVE BOXES

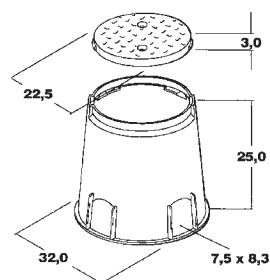
Features

The valve box provides adequate protection and a suitable container for valves and other instruments that have to be buried and that needs easy, secure inspection. The valve boxes have a plastic black body and green lid.



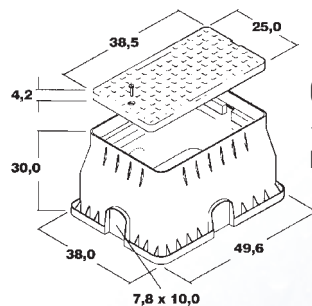
Code

IT-VPX 0070 mod Mini



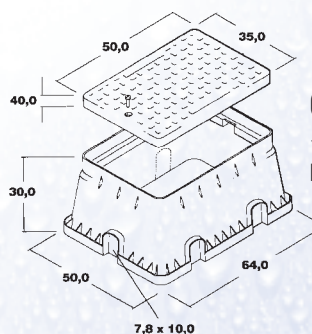
Code

IT-VPX 11001 mod Large



Code

IT-VPX 14191 mod Standard



Code

IT-VPX 12201 mod Jumbo